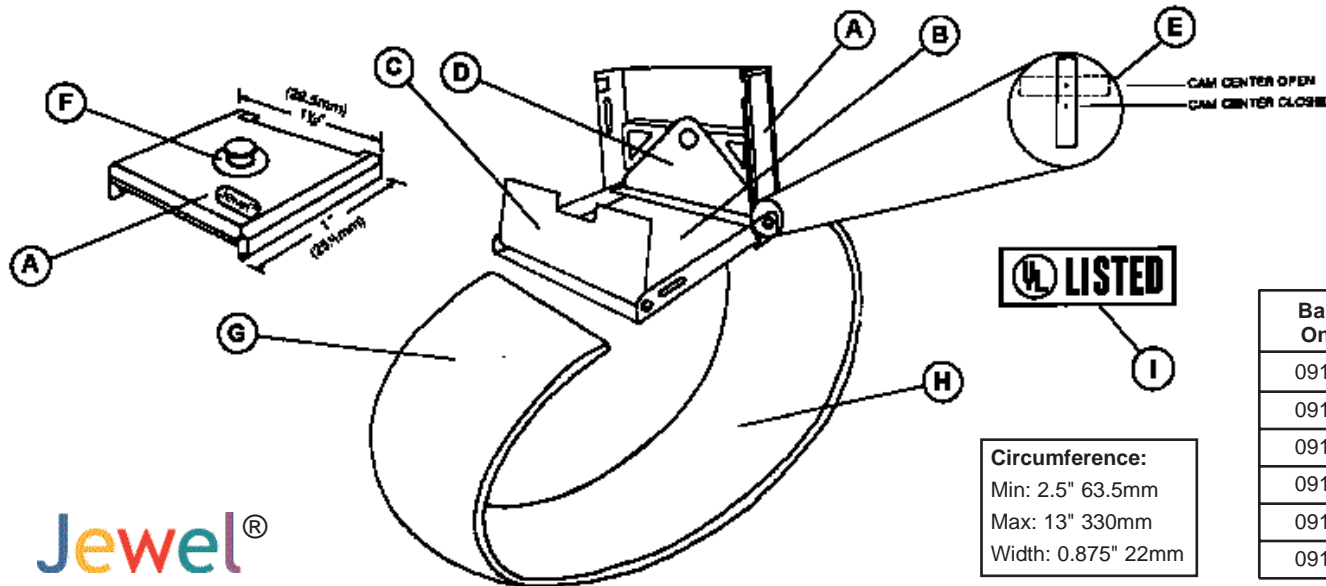


Made in America



Jewel®



Circumference:
 Min: 2.5" 63.5mm
 Max: 13" 330mm
 Width: 0.875" 22mm

Band Only	Band w/6' Coil Cord	Band w/10' Coil Cord	Color
09105	09100	09130	Sapphire
09106	09101	N/A	Ruby
09107	09102	N/A	Topaz
09108	09103	N/A	Emerald
09109	09104	N/A	Amethyst
09140	Elastic Replacement Strip		

- A. Insulating cap, ABS plastic. Jewel® logo molded into cap.
- B. 300 series stainless steel backplate (0.016" thick). Manufacturing date code is stamped into stainless steel backplate.
- C. Small cam lock, allows material replacement. 300 series stainless steel.
- D. Large cam lock, allows size adjustment, maintains electrical continuity even when open. 300 series stainless steel.
- E. Floating cam lock* allows wide opening for easy adjustment and secures material down against base plate when closed.
- F. 4mm snap stud machined from 300 series stainless steel. Fits to 4mm spring loaded medical type socket. Coil cord disengages from snap with 1-5 lbs. of perpendicular force. Durable, providing long life well beyond that of sheet metal snaps.
- G. Knit elastic band material of light blue fiber; .875" (22mm) wide and 0.10" (2.5mm) thick. 50 strands of textured polyester, 36 strands of lycra spandex and 14 strands of silver plated Nylon 6 yarn. Made with pure silver irreversibly bound to fibers providing both antimicrobial and anti-odor performance. Outer surface of grey fibers act as an insulator.

- H. The conductive silver plated Nylon 6 (see G) represents 13.5% of the material by weight. The 14 strands of conductive Nylon are randomly knit on the inner surface of the material and are electrically isolated from the outer surface (grey side).
- I. Underwriters Laboratory listing 90P1C.

Jewel® Wrist Bands and Coil Cords meet and exceed the Wrist Band and Wrist Cord requirements of ANSI/ESD S20.20 except that ESD S1.1 paragraph 5.9 states "Only wrist straps incorporating a nonstandard [resistor] value shall use the color red on any portion of the wrist strap."

Jewel® Lifetime Limited Warranty

Desco expressly warrants that for a period of 1 year from the date of purchase, Desco Jewel® Wrist Straps and Coil Cords will be free of defects in material (parts) and workmanship (labor). In addition, normal use will not cause Coil Cord resistor strain relief connection or Wrist Band 4 mm snap stud to wear sufficiently to open path-to-ground circuit. Within the lifetime warranty period, a credit for purchase of replacement Desco Jewel® products, or, at Desco's option, the Desco Jewel® product will be repaired or replaced free of charge. If product credit is issued, the amount will be calculated based upon the original invoice purchase price.

See drawing 09120 for coil cord specifications.

Made in U.S.A. *U.S. Patent No. 4,662,695

JEWEL® WRISTBAND, ELASTIC, ADJUSTABLE

DESCO

DESCO WEST: 3651 WALNUT AVE., CHINO, CA 91710 WEB SITE: www.desco.com
 PHONE (909) 627-8178 FAX (909) 627-7449
 DESCO EAST: 90 HUDSON RD, CANTON, MA 02021-1407
 PHONE (781) 821-8370 FAX (781) 575-0172

DRAWING NUMBER
09105

DATE:
06/07